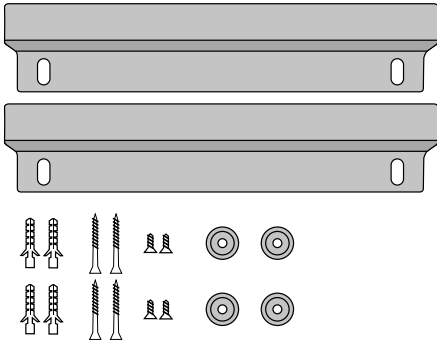
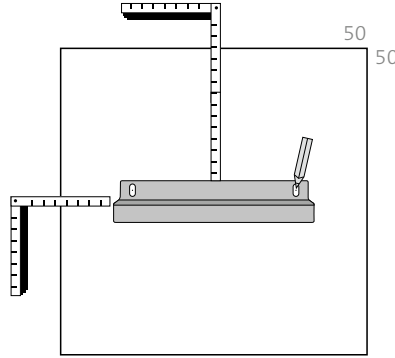


Installation Instructions SINAbord

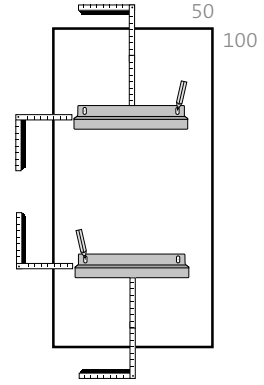
1. Materials supplied:



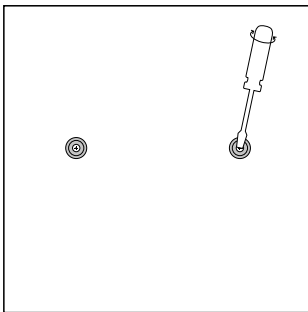
2. Measure to determine the middle of the 50 x 50 cm board and mark two spots accordingly



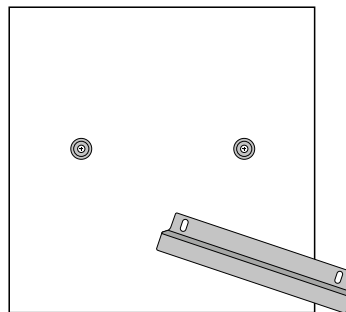
With the 50 x 100 cm board 4 magnets must be mounted. You therefore need to mark 4 spots.



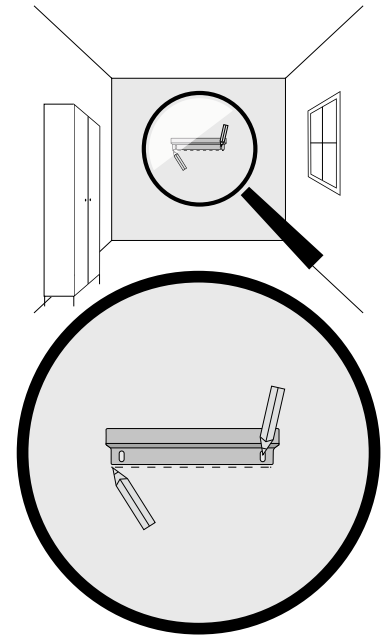
3. Put the small screws in the two (or four) magnets and screw in on the marked spots.



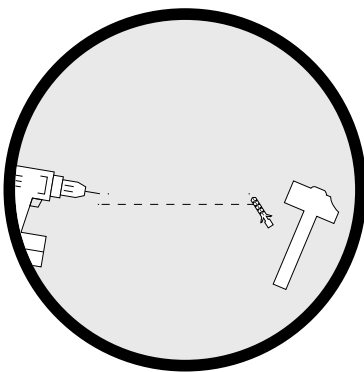
4. The magnets are now mounted on the SINAbord.



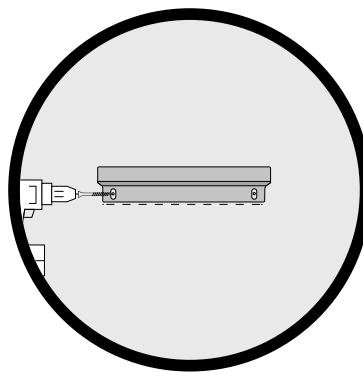
5. Mark out the mounting bracket on the wall.



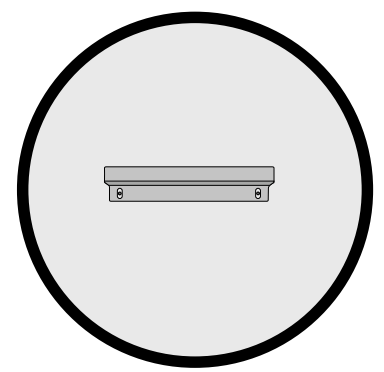
6. Drill holes and put in the rawlplugs.



7. Mount the bracket(s) and tighten the screws..



8. The bracket(s) is (are) now firmly mounted on the wall.



9. Place the SINAbord on the bracket(s), (magnets).

